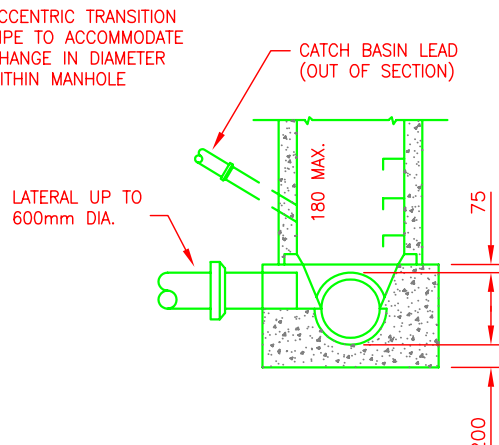


BASE SECTION THRU MANHOLES FOR PIPE 600mm DIA TO 900mm DIA



BASE SECTION THRU MANHOLES FOR PIPE UP TO 600mm DIA INCLUSIVE

UNITS ARE IN MILLIMETERS UNLESS OTHERWISE NOTED

**NOTES:**

WHERE MANHOLE BASE EXCAVATION EXTENDS BEYOND BASE DIMENSIONS, THE OVER EXCAVATION SHALL BE FILLED WITH CONCRETE 100mm BELOW THE BOTTOM OF THE PIPE AND THE WIDTH OF THE TRENCH. ALL POURED IN PLACE CONCRETE TO BE 20 MPa.

No.	By	Revisions	Date
2	City	Drawings revised	02/99
1	Usi	Original drawings created	04/96

**MANHOLE AND BASE DETAILS FOR SEWERS 450mm TO 900mm DIA.**

Date: February 12/99	Scale: N.T.S	Dwg. No. E-5
Drawn by: Bob Smith	Cad file: c:\..\drawings\standard\By_E5	