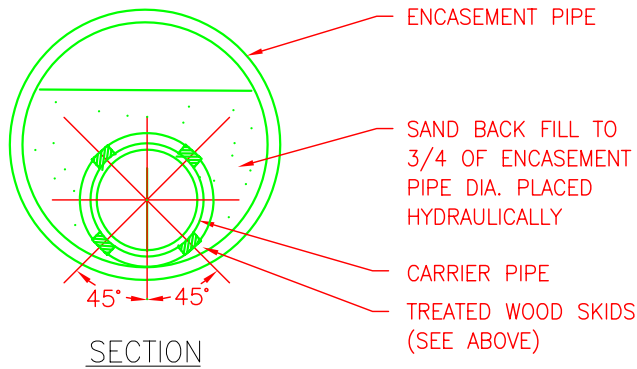


SKID ARRANGEMENT FOR VARIOUS PIPE SIZES

NOTES:

1. CARRIER PIPE JOINTS SHALL BE SET 1000m BEYOND THE ENDS OF THE ENCASEMENT PIPE.



CARRIER PIPE SIZE mm	ENCASEMENT PIPE SIZE mm
100	250
125	300
150	300
200	400
250	450
300	500
375	600

UNITS ARE IN MILLIMETERS  
UNLESS OTHERWISE NOTED

				<b>ENCASEMENT AND CARRIER PIPE DETAIL</b>		
2	City	Drawings revised	02/99			
1	Usi	Original drawings created	04/96	Date: February 12/99	Scale: N.T.S	Dwg. No. D-12
No.	By	Revisions	Date	Drawn by: Bob Smith	Cad file: c:\...\drawings\standard\By_D12	